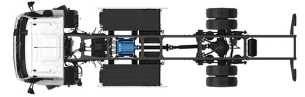


Specification sheet

# XB 190

FA 4X2 Rigid, 19t Electric



## ENGINES

XB BEV NewGen 190 kW

## GVM<sup>1)</sup>

19000 kg

Max. front 7500 kg

Max. rear 13000 kg

## GCM<sup>2)</sup>

19000 kg

## CAB EXTERIOR

Day Cab with steel bumper, tinted glass and electric window openers. Main mirrors and wide angle mirrors electrically heated. Cab width 2130 mm.; Electrically adjustable mirrors; Mirror brackets, body 2.50-2.60 m; Front view mirror; Rear view camera, prepared.

### Optional

<b>02576</b> Extended Day Cab	<b>02083</b> Two hazard beacon lights LED
<b>01605</b> Cab suspension mechanical reinforced	<b>07343</b> Kerb view window co-driver door
<b>09983</b> Fog lights	<b>00915</b> Side no glass / rear single glass
<b>09984</b> Fog lights and cornering lights	<b>09101</b> Green tinted glass, heated
<b>06629</b> Two hazard beacon lights	<b>09283</b> Mirror brackets, body 2.40-2.50 m

## AERODYNAMICS

### Optional

<b>09286</b> Roof air deflector prepared	<b>07092</b> Adjustable roof air deflector low (set)
<b>06776</b> Adjustable roof air deflector	<b>09287</b> Side collars prepared
<b>07109</b> Adjustable roof air deflector high (set)	<b>07112</b> Side collars long (set)

## COLOURS

; Head lamp panel and bumper: Stone Grey; Lower step cover, cab steps and wing Stone Grey.; Chassis colour grey..

### Optional

<b>06485</b> Head lamp panel and bumper: cab colour	<b>00617</b> Lower step cover, cab steps and wing in cab colour
<b>00733</b> Lower step cab colour, cab steps and wing Grey	<b>16153</b> Cab and chassis colours

## CAB INTERIOR

Left-hand drive (LHD); Mechanically adjustable steering column; Driver seat: air suspended; Co-driver seat: fixed velour; Storage box on engine tunnel.

### Optional

<b>01847</b> Right-hand drive (RHD)	<b>16158</b> Seat types
<b>09271</b> Steering wheel, leather, colour black	<b>04246</b> Roof hatch, manual control
<b>03516</b> Pneumatically adjustable steering column	<b>04258</b> Roof hatch, electric control
<b>00967</b> Seat belts red	

## COMMUNICATION AND DRIVING MANAGEMENT

FMS connector, prepared; Tachograph digital, Stoneridge 1C version G2V2; Driver Performance Assistant.

### Optional

<b>07707</b> DAF Connect	<b>16155</b> Audio equipment, makes and types
--------------------------	---

## SAFETY AND SECURITY

Speed limit recognition; DAF drowsiness detection; Drive-off Assist.

### Optional

<b>08631</b> Air bag (driver) and 2 seat belt tensioners	<b>01723</b> No reverse warning
<b>07414</b> Reverse warning with self-adjusting volume	

## SUSPENSION AND AXLES

Front axle type 152N, 100 mm vertical offset. Parabolic leaf suspension with shock absorbers and stabiliser. Max. load 7.5 tonnes.; Single reduction driven rear axle type SR1344 with adjustable electronically controlled 4-bellow air suspension, including shock absorbers and stabiliser. Max. load 13.0 tonnes. Mechanical differential lock..

## WHEELS AND TYRES

Front axle(s): 315/70R22.5; Driven rear axle(s): 315/70R22.5; Goodyear; Wheel protection rings silvergrey.

### Optional

<b>06764</b> Wheel protection rings black	<b>16152</b> Tyre makes and types
<b>06766</b> Wheel protection rings chromium DAF	

## DRIVELINE

Electric motor type EX-M2; Electric motor 190 kW; Battery Electric Vehicle; No gearbox ratio; Rear axle ratio 5.57.

## BRAKE SYSTEM

### Optional

<b>09524</b> Park brake control with spoken warning
---

## CHASSIS

Wheelbase 4.45 m / rear overhang 1.98 m; Side member height 270 mm; Battery box LH rear, no spare wheel carrier; Battery pack H-type; 2 H-type HV batteries: 1 LH (L1), 1 RH (R1); 2 HV batteries; Front underrun protection (FUP); Spray suppression.

### Optional

<b>00566</b> Battery box LH rear, spare wheel carrier rear	<b>01623</b> Rear underrun protection
<b>00585</b> Battery box LH rear, spare wheel carrier RH	<b>02011</b> Spare wheel carrier in rear overhang
<b>04181</b> Battery pack C-type	<b>07071</b> Spare wheel carrier right-hand side
<b>00684</b> 2 C-type HV batteries: 1 LH (L1), 1 RH (R1)	<b>03323</b> Rear light with LEDs

## DRAWBAR AND TRAILER EQUIPMENT

Closing member.

## BODIES AND PREPARATIONS FOR BODYING

No BodyBuilder Module (BBM); Standard body attachment hole pattern.

### Optional

<b>09952</b> BodyBuilder Module (BBM) full	<b>07487</b> Body attachment BAM 1, loose consoles supply
<b>01502</b> No side marker lights	<b>07488</b> Body attachment BAM 3, loose consoles supply

## 24V POWER SUPPLY

Batteries 2x 125 Ah..

### Optional

<b>08797</b> Batteries 2x175Ah
--------------------------------

## GVM AND GCM

Chassis weight related technical GVM max 19000 kg; Driveline related technical GCM equal to GVM.

## APPLICATION CONDITIONS

### Optional

01282 Moderate climate

## VEHICLE DELIVERY

Standard toolkit.

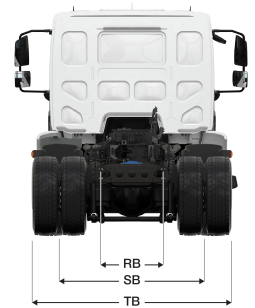
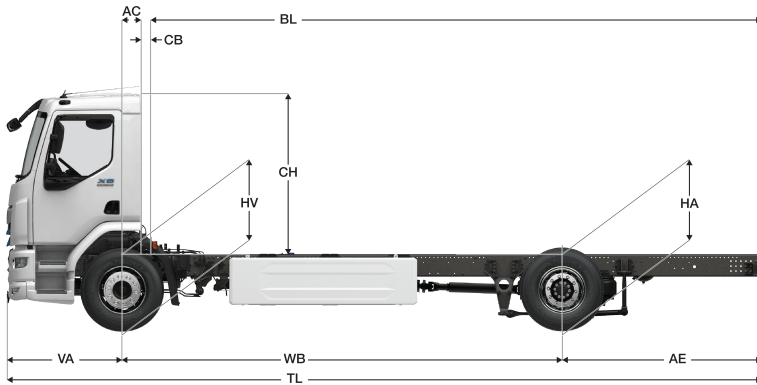
### Optional

06491 Toolkit Eastern Europe

Go to [DAF.com](https://www.daf.com) to configure your own perfect DAF.

# XB 190

FA 4X2 Rigid, 19t Electric



	Wheelbase - AE <sup>5)</sup>		Unladen weight <sup>1)</sup>			Gross Carrying Capacity			Variable dimensions									
	WB	AE <sup>5)</sup>	Front	Rear	Total	Front	Rear	Total	AC	CB <sup>6)</sup>	CH <sup>7)</sup>	BL <sup>8)</sup>	BL	TL	HA <sup>9)</sup>	HA <sup>10)</sup>	TK <sup>11)</sup>	TW <sup>12)</sup>
DAY CAB	4,45	1,98	4753	2637	7390	2747	10363	11610	0,23	0,24	1,88	5,86	6,99	7,81	0,90	0,87	15,68	16,84
	4,75	2,13	4826	2589	7415	2674	10411	11585	0,23	0,24	1,88	6,38	7,60	8,26	0,90	0,87	16,51	17,67
	5,00	2,25	4887	2569	7456	2613	10431	11544	0,23	0,24	1,88	6,80	8,09	8,63	0,90	0,87	17,19	18,36
	5,30	2,40	4947	2533	7480	2553	10467	11520	0,23	0,24	1,88	7,32	8,68	9,08	0,90	0,87	18,02	19,20
	5,85	2,68	5049	2493	7543	2451	10507	11458	0,23	0,24	1,88	8,26	9,78	9,91	0,90	0,87	19,53	20,72
	6,25	2,88	5109	2467	7576	2391	10533	11424	0,23	0,24	1,88	8,95	10,58	10,51	0,90	0,87	20,63	21,83
	6,60	2,85	5165	2431	7596	2335	10569	11404	0,23	0,24	1,88	9,56	11,29	10,83	0,90	0,87	21,60	22,81
	6,90	3,00	5218	2445	7663	2282	10555	11337	0,23	0,24	1,88	10,10	11,89	11,28	0,90	0,87	22,43	23,64

OTHER DIMENSIONS	VA: 1,38	HV <sup>13)</sup> : 0,95	HV <sup>14)</sup> : 0,91	RB: 0,79	SB: 1,83	TB <sup>15)</sup> : 2,49
------------------	----------	--------------------------	--------------------------	----------	----------	--------------------------

1) GVM in conformity with registration documents.  
 2) GCM in conformity with registration documents.  
 3) Axle load with standard tyre size.  
 4) Chassis and cab weight calculated with: Standard specification items only with 0 litres of fuel, 0 litres of AdBlue® and driver of 0 kg, tolerance ± 3%. Changing of the specification can have major impact on vehicle weight.  
 5) Other AE dimensions may be available for shown WB. Modify rear overhang to the calculated body length.  
 6) CB is based on standard air intake and/or exhaust.  
 7) Cab height is measured from frame member to closed cabin roof hatch.

8) Calculate customer specific body length with TOPEC. Body lengths shown based on evenly distributed load at max axle load.  
 9) Unladen height at centre of driven axle(s).  
 10) Laden height at centre of driven axle(s).  
 11) TK = turning circle between kerbs.  
 12) TW = turning circle between walls.  
 13) Unladen height at centre of front axle(s).  
 14) Laden height at centre of front axle(s).  
 15) TB is overall width at rear. (At centre of front axle 255).

Depending on the vehicle configuration a specific option may not be possible. The availability and specification of this vehicle may differ per country. For further information please contact the DAF organisation. Pictures and technical illustrations are not binding in detail and can differ from the standard specification. Subject to modification without prior notice.