

Specification sheet

XD 220

FA 4X2 Rigid, Batt.ElectricVehicle



ENGINES

- XD BEV NewGen 170 kW
- XD BEV NewGen 220 kW
- XD BEV NewGen 270 kW
- XD BEV NewGen 310 kW
- XD BEV NewGen 350 kW

GVM¹⁾

20500 kg

Max. front 8000 kg

Max. rear 13000 kg

GCM²⁾

21500 kg

991F0100AAAA - 202345D - 21-08-2023

DAF Trucks N.V., The Netherlands, www.daf.com

OPTION PACKAGES

Optional

17448 Safety pack 17595 Executive Pack XD/XF

CAB EXTERIOR

Luxurious Day Cab with unrivalled aerodynamics for fuel efficient driving and low CO2 emissions. The huge and deep frontscreen, curved at the sides combined with large side windows offer an unsurpassed direct view for the driver, to enhance road safety. Cab length: 2030 mm; cab width: 2500 mm.; Cab suspension mechanical; LED head lights; DAF Corner View.

Optional

07018 Sleeper Cab	01836 LED Skylights
06244 Sleeper High Cab	00949 LED Skylights; aux. LED lights on cab rf, prepared
02889 Chassis front execution: no bottom plate	01925 Two LED work lamps for cab rear wall
02952 Chassis front execution: bottom plate aero	01891 Hazard beacons on cab front, prepared
07586 Chassis front execution: robust	06629 Two hazard beacon lights
01226 Cab suspension air	03232 Front windscreen with solar control foil
03358 External sun visor	03317 Rear window: double glass
03922 Fog lights front	07343 Kerb view window co-driver door
00936 Auxiliary LED lights on cab roof, prepared	01362 DAF Digital Vision System

AERODYNAMICS

Optional

00008 Adj. roof air deflector short Sleeper High Cab	00097 Adj. roof air deflector for Sleeper Cab
00124 Adj. rf air defl.long mid >4m(!) Sleeper High Cab	00020 Adj. roof air deflector long low Sleeper High Cab
01538 Adj. roof air defl. long high >4m(!) Sleeper High	02662 Adj. roof air deflector long mid Sleeper High Cab
00082 Adj. roof air deflector for Day Cab	

COLOURS

Cab colour E1980 Crystal White; Chassis colour grey.; Colour of bumper: Crystal White.

CAB INTERIOR

Cab interior trim colour: Luxury; Dashboard finish: Vision; Cab interior decoration: Hexagon; Driver seat: Comfort Air; Co-driver seat: cinema with fabric cover; No dashboard table; Storage compartment in centre; Automatic Temperature Control and aircoc; Auxiliary cab heater (water).

Optional

02354 Steering wheel with silver accents	02117 Third seat
02355 Steering wheel, leather	02837 Dashboard table
02353 Cab interior decoration: Argenta	03948 Single drawer
02350 Cab interior decoration: Natura	03954 Refrigerator
07733 Driver seat: Luxury Air	02838 Foam mattress for lower bunk
07736 Driver seat: Super Air	02854 Xtra Comfort mattress for lower bunk
07737 Driver seat: Xtra Leather Air	01775 Xtra Comfort mattress with topper for lower bunk
01740 Arm rest at both sides of the driver seat	06970 Automatic Cab Climate Control

COMMUNICATION AND DRIVING MANAGEMENT

DAF Connect; Tachograph digital, Stoneridge 1C version G2V2; Speed limiter setting 85 km/h; Eco off 90 km/h; DAF Infotainment Luxury with Luxury speakers; Adaptive Cruise Control with FCW and AEBS-3.

Optional

09681 Preparation for Maut	01254 Cruise control with FCW and AEBS
06211 DAF Infotainment System with FM/DAB/DAB+ radio	06991 Predictive Cruise Control
03470 DAF Infotainment System: Exclusive, prepared	06992 Predictive Cruise Control lite
01915 DAF Infotainment System: Luxury Plus	

SAFETY AND SECURITY

Lane Departure Warning System; Vehicle Stability Control (VSC); Basic engine immobiliser system; No EC-ADR packages; DAF Side & Turn Assist.

Optional

08631 Air bag (driver) and 2 seat belt tensioners

SUSPENSION AND AXLES

Front: 8.00 t, parabolic, 163N; Rear axle load 13.00 t; Rear: air suspension, SR1344; No lifting device.

Optional

06257 Front axle load 9.00 t	04647 Front springs air
06095 Front axle load 10.00 t	08191 Axle load monitoring

WHEELS AND TYRES

Driven rear axle(s): 315/70R22.5; F1,315/70R22.5GO FMXSE 156/150 L Steering BBA 3P; R1,315/70R22.5GO FMXDE 154/150 L Traction BBA 3P.

Optional

16152 Tyre makes and types

DRIVELINE

Electric motor type EX-D1; Electric motor 220 kW; 150 kW DC charging; Battery Electric Vehicle; No gearbox; Rear axle ratio 2.05.

Optional

01656 Electric motor type EX-D2	01749 Combined charging: 150 kW DC + 22 kW AC
01664 Electric motor 170 kW	01756 325 kW DC charging
01686 Electric motor 270 kW	01514 Urge-to-move
01691 Electric motor 310 kW	02843 Mechanical differential lock
01692 Electric motor 350 kW	

BRAKE SYSTEM

Optional

04901 Spring brake cylinders on the first front axle

CHASSIS

Wheelbase 4.30 m / rear overhang 1.80 m; Side member height 260 mm; Standard component location; 3 HV batteries; HV battery pack left, position 2; HV battery pack right, position 2; Front underrun protection (FUP); Spray suppression.

Optional

02601 Side member height 310 mm	01762 HV battery packs left, positions 2 and 3
01696 2 HV batteries	01779 HV battery pack right, position 1
01699 4 HV batteries	01791 HV battery packs right, positions 1 and 2
01701 5 HV batteries	01799 HV battery packs right, positions 2 and 3
01634 HV battery pack left, position 1	01658 No HV battery packs right
01759 HV battery packs left, positions 1 and 2	16157 Fuel tanks, material and sizes

DRAWBAR AND TRAILER EQUIPMENT

Closing member.

Optional

07033 Trailer coupling Ringfeder D=13.7	08027 Trailer coupling Rockinger D=20.0
07034 Trailer coupling Ringfeder D=20.0	04659 Trailer cable EBS
08026 Trailer coupling Rockinger D=13.0	

BODIES AND PREPARATIONS FOR BODYING

Application connector chassis.

Optional

09421 Additional spare wiring	09240 Application connector for refuse collector
02950 Application connector for hydraulic platform	08121 Tail lift application

POWER TAKE-OFF (PTO)

Optional

01809 E-PTO socket 650V DC < 25 kW	01815 E-PTO socket 650V DC < 60 kW
---	---

24V POWER SUPPLY

Batteries 2x 175 Ah..

Optional

07671 Batteries 2x210Ah AGM C-type	06440 Batteries 2x230Ah
---	--------------------------------

GVM AND GCM

Chassis weight related technical GVM max 20500 kg; Driveline related max GCM 21500 kg.

APPLICATION CONDITIONS

Optional

02260 Extra cab insulation	06614 Anti-dust blow-up shield
-----------------------------------	---------------------------------------

SERVICE AND MAINTENANCE

Warranty Plus - Driveline, takes care of 1 year complete vehicle as supplied by the OEM (excl. real wear parts), 2nd and 3rd year driveline up to 500,000 km and 1st year breakdown.; ITS service.

VEHICLE DELIVERY

Minimum toolkit.

Optional

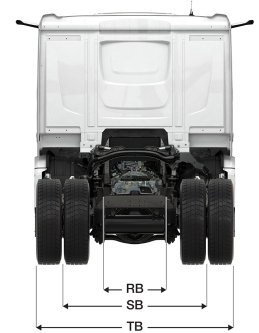
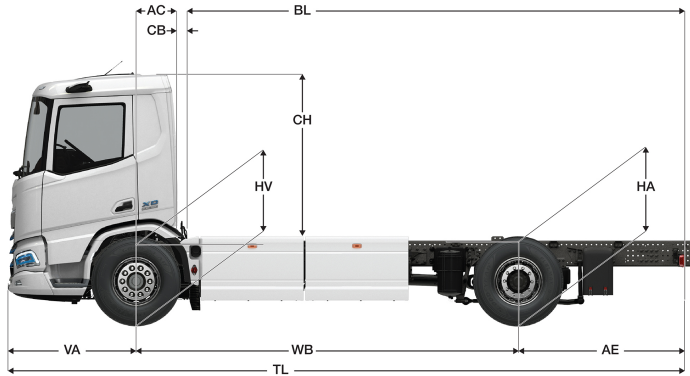
07569 Lifting jack



Go to [DAF.com](https://www.daf.com) to configure your own perfect DAF.

XD 220

FA 4X2 Rigid, Batt.ElectricVehicle



	Wheelbase - AE		Unladen weight ¹⁾			Gross Carrying Capacity			Variable dimensions									
	WB	AE ⁵⁾	Front	Rear	Total	Front	Rear	Total	AC	CB ⁶⁾	CH ⁷⁾	BL ⁸⁾	BL	TL	HA ⁹⁾	HA ¹⁰⁾	TK ¹¹⁾	TW ¹²⁾
DAY CAB	3,90	1,30	6446	2113	8560	1554	10887	11940	0,50	0,07	2,06	5,65	5,97	6,73	0,97	0,95	13,75	15,14
	4,30	1,80	6493	2172	8664	1507	10828	11836	0,50	0,07	2,06	6,37	6,72	7,63	0,97	0,94	14,79	16,20
	4,50	1,95	6536	2204	8740	1464	10796	11760	0,50	0,07	2,06	6,75	7,12	7,98	0,97	0,94	15,31	16,73
	4,70	2,05	6556	2211	8767	1444	10789	11733	0,50	0,07	2,06	7,11	7,50	8,28	0,97	0,94	15,83	17,26
	4,90	2,35	6573	2246	8819	1427	10754	11681	0,50	0,07	2,06	7,48	7,88	8,78	0,97	0,94	16,35	17,78
	5,10	2,75	6576	2289	8865	1424	10711	11635	0,50	0,07	2,06	7,81	8,25	9,38	0,97	0,94	16,87	18,31
	5,40	2,65	6612	2272	8885	1388	10728	11615	0,50	0,07	2,06	8,37	8,82	9,58	0,97	0,94	17,65	19,11
5,70	2,65	6668	2301	8969	1332	10699	11531	0,50	0,07	2,06	8,96	9,42	9,88	0,97	0,95	18,44	19,90	
6,10	2,80	6703	2323	9026	1297	10677	11474	0,50	0,07	2,06	9,69	10,21	10,43	0,97	0,95	19,49	20,96	
SLEEPER CAB	3,90	1,30	6546	2117	8663	1454	10883	11837	0,83	0,07	2,06	5,04	5,36	6,73	0,97	0,94	13,75	15,14
	4,30	1,80	6593	2175	8768	1407	10825	11732	0,83	0,07	2,06	5,78	6,13	7,63	0,97	0,94	14,79	16,20
	4,50	1,95	6636	2207	8843	1364	10793	11657	0,83	0,07	2,06	6,16	6,52	7,98	0,97	0,94	15,31	16,73
	4,70	2,05	6656	2213	8870	1344	10787	11630	0,83	0,07	2,06	6,52	6,91	8,28	0,97	0,94	15,83	17,26
	4,90	2,35	6673	2248	8922	1327	10752	11578	0,83	0,07	2,06	6,88	7,30	8,78	0,97	0,94	16,35	17,78
	5,10	2,75	6677	2291	8968	1323	10709	11532	0,83	0,07	2,06	7,24	7,67	9,38	0,97	0,94	16,87	18,31
	5,40	2,65	6713	2275	8988	1287	10725	11512	0,83	0,07	2,06	7,80	8,26	9,58	0,97	0,94	17,65	19,11
5,70	2,65	6769	2303	9072	1231	10697	11428	0,83	0,07	2,06	8,38	8,86	9,88	0,97	0,94	18,44	19,90	
6,10	2,80	6804	2325	9129	1196	10675	11371	0,83	0,07	2,06	9,13	9,64	10,43	0,97	0,94	19,49	20,96	
SLEEPER HIGH CAB	3,90	1,30	6577	2116	8693	1423	10884	11807	0,83	0,07	2,54	5,06	5,39	6,73	0,97	0,94	13,75	15,14
	4,30	1,80	6624	2174	8798	1376	10826	11702	0,83	0,07	2,54	5,80	6,15	7,63	0,97	0,94	14,79	16,20
	4,50	1,95	6667	2206	8873	1333	10794	11627	0,83	0,07	2,54	6,18	6,54	7,98	0,97	0,94	15,31	16,73
	4,70	2,05	6687	2213	8900	1313	10787	11600	0,83	0,07	2,54	6,55	6,93	8,28	0,97	0,94	15,83	17,26
	4,90	2,35	6704	2248	8952	1296	10752	11548	0,83	0,07	2,54	6,90	7,32	8,78	0,97	0,94	16,35	17,78
	5,10	2,75	6707	2290	8998	1293	10710	11502	0,83	0,07	2,54	7,26	7,69	9,38	0,97	0,94	16,87	18,31
	5,40	2,65	6744	2274	9018	1256	10726	11482	0,83	0,07	2,54	7,83	8,29	9,58	0,97	0,94	17,65	19,11
5,70	2,65	6799	2302	9102	1201	10698	11398	0,83	0,07	2,54	8,41	8,89	9,88	0,97	0,94	18,44	19,90	
6,10	2,80	6834	2325	9159	1166	10675	11341	0,83	0,07	2,54	9,16	9,67	10,43	0,97	0,94	19,49	20,96	

OTHER DIMENSIONS VA: 1,53 HV¹³⁾: 0,93 HV¹⁴⁾: 0,86 RB: 0,79 SB: 1,82 TB¹⁵⁾: 2,48

- 1) GVM in conformity with registration documents.
- 2) GCM in conformity with registration documents.
- 3) Axle load with standard tyre size.
- 4) Chassis and cab weight calculated with: Standard specification items only with driver of [0] kg, tolerance $\pm 3\%$. Changing of the specification can have major impact on vehicle weight
- 5) Other AE dimensions may be available for shown WB. Modify rear overhang to the calculated body length.
- 6) Based on basic specification.
- 7) Cab height is measured from frame member to closed cabin roof hatch.

- 8) Calculate customer specific body length with TOPEC. Body lengths shown based on evenly distributed load at max axle load.
- 9) Unladen height at centre of driven axle(s).
- 10) Laden height at centre of driven axle(s).
- 11) TK = turning circle between kerbs.
- 12) TW = turning circle between walls.
- 13) Unladen height at centre of front axle(s).
- 14) Laden height at centre of front axle(s).
- 15) TB is overall width at rear. (At centre of front axle 255).

Depending on the vehicle configuration a specific option may not be possible. The availability and specification of this vehicle may differ per country. For further information please contact the DAF organisation. Pictures and technical illustrations are not binding in detail and can differ from the standard specification. Subject to modification without prior notice.